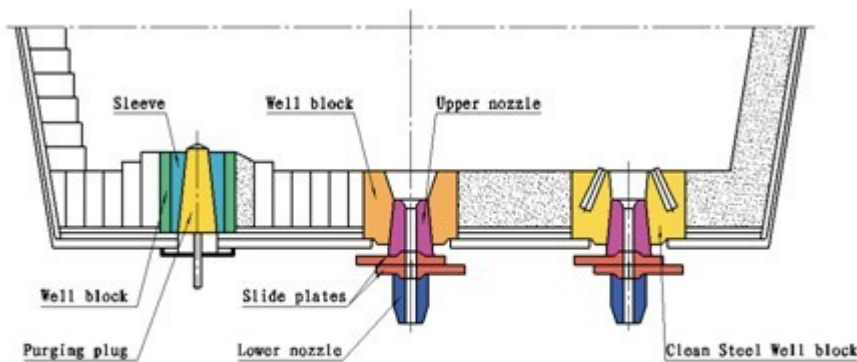


# Plates – Plugs – Nozzles

According to the customers' production and furnace working conditions, we can analyze, select and supply different types of prefabricated refractory parts for different application types.

## For Ladle

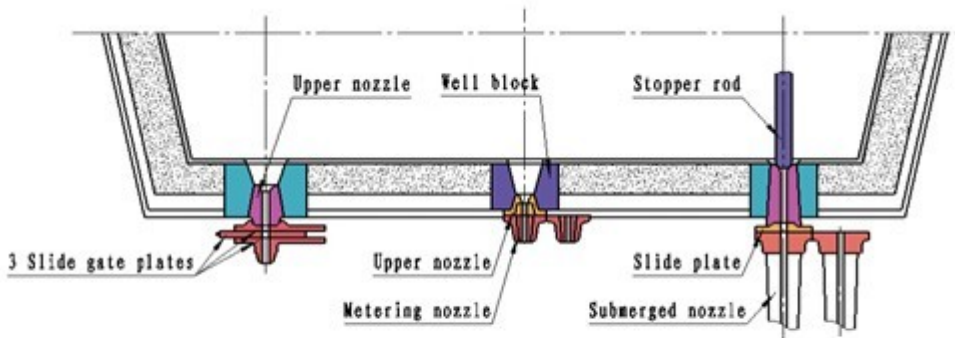


Description	Material
Burned slide plates	Aluminum-Carbon Aluminum-Zirconium-Carbon Magnesia
Unburned slide plates	
Slide plates installed metal bossor metal canned	
Preinstall slide plates with lower nozzles	
Purging plug	Corundum corundum-spinel
Lower nozzles (Collector nozzles) Upper nozzles (Ladle nozzles)	Corundum Aluminum- Zirconium-Carbon Aluminum-Carbon

Well blocks (Seating blocks)

Corundum  
Corundum-spinel

## For Tundish



Applications	Description of quick changer	Main parts
Slab caster	Submerged nozzle changer	Stopper rod
		Submerged nozzle
		Quick changer mechanism
	3 plates flow control	Upper nozzle
		3 slide gate plates
		Well blocks
Billet caster	Metering nozzle quick changer	Upper nozzle
		Metering nozzle
		Quick changer mechanism